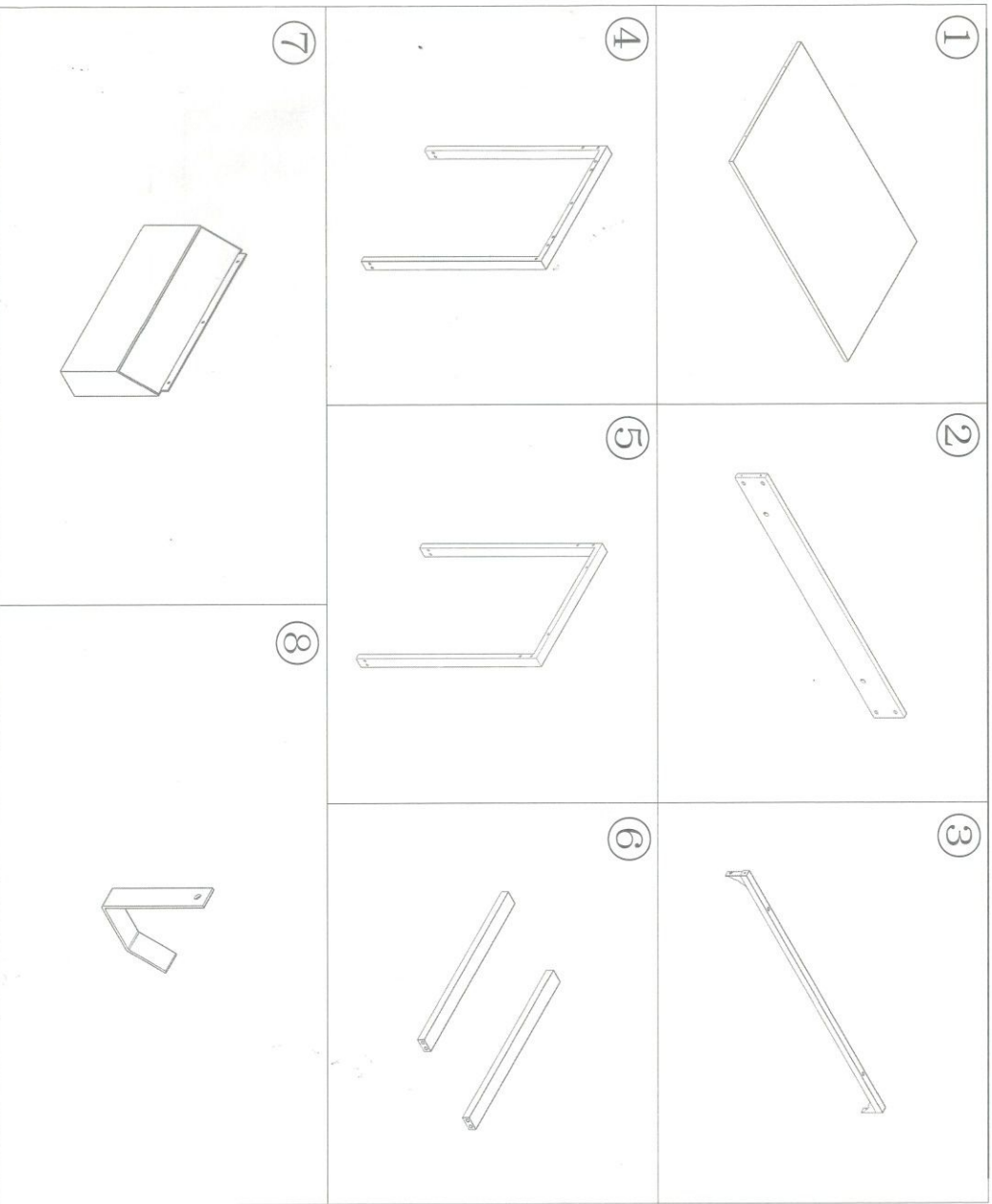


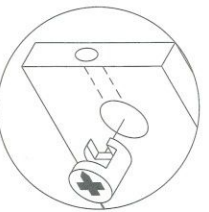
BC-1000-GG01 Assembling Instruction

Thanks for buying our products , read it carefully before installation
 (Attention: Don't tighten the screw before all screws are in place)

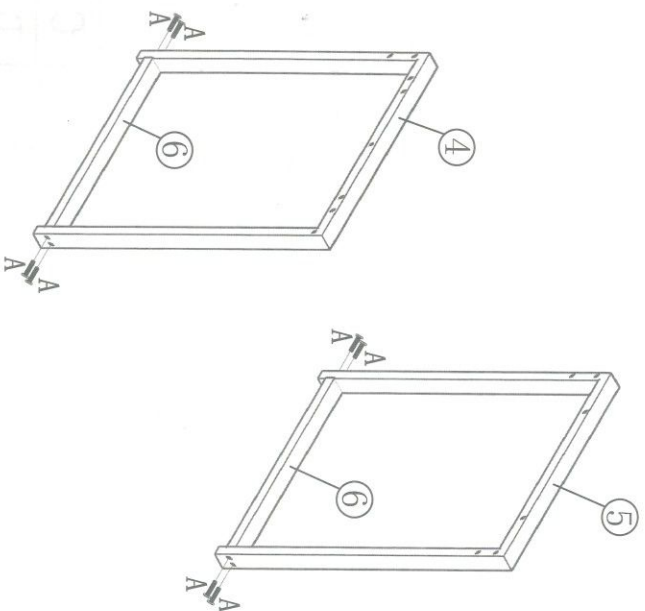


PART	QTY	ITEM		PART	QTY	ITEM	
A	8+1	M6*35		F	2+1	M6*55	
B	2+1	M6*40		G	5+1	M6*10	
C	2+1			H	4	M6	
D	2+1	M6*30			1		
E	8+1	M5*70			1		

Insert the minifix (B) (nuts) with the cross arrow mark facing up ward and aim to the panel's top thru holes. then tighten Bclockwise.



1

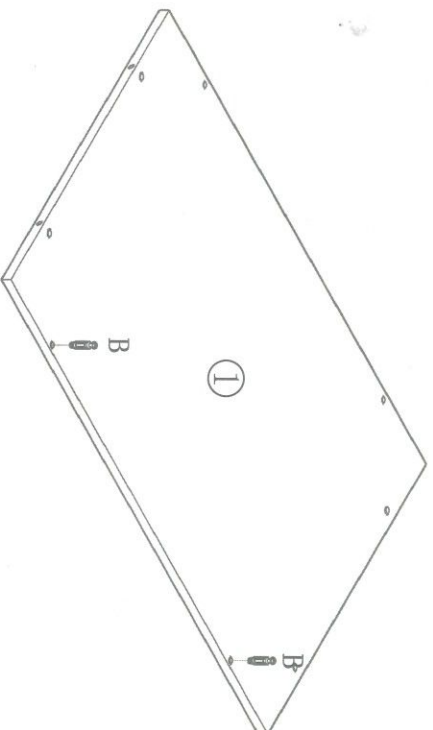


A



8

2

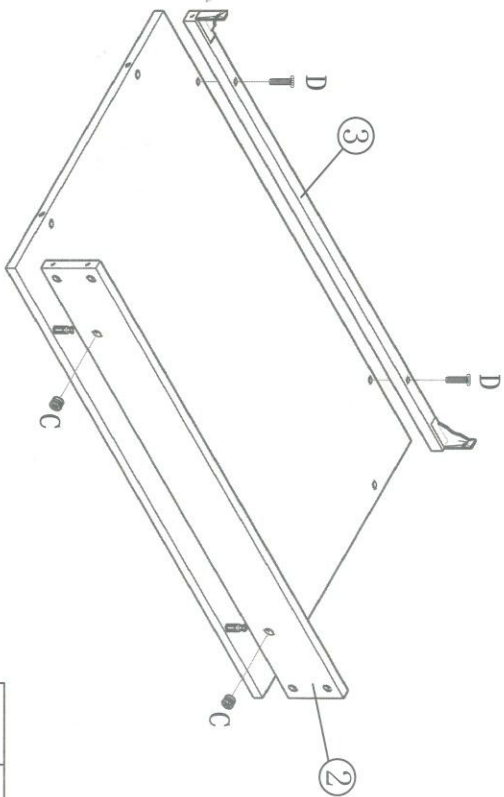



B



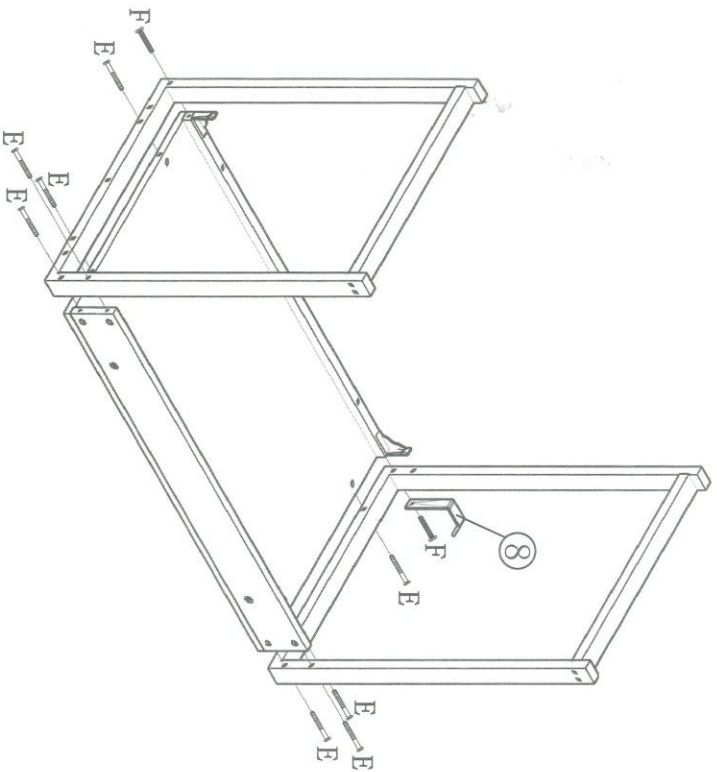
2



3



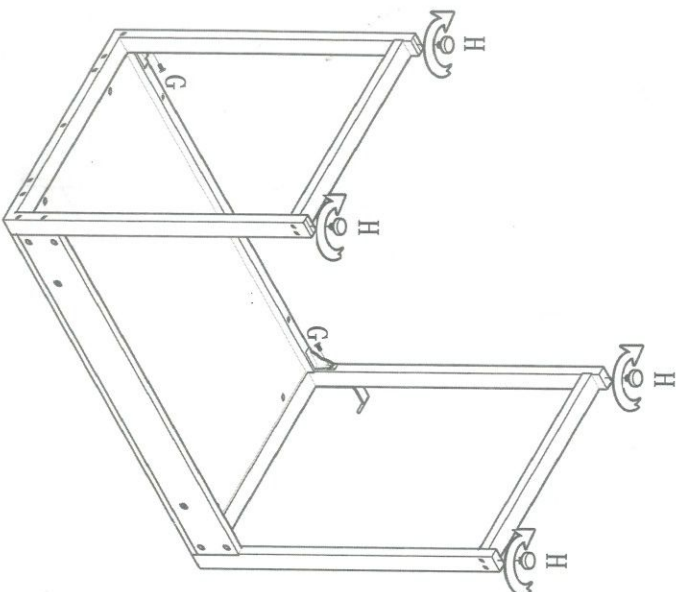
C		2
D		2



4



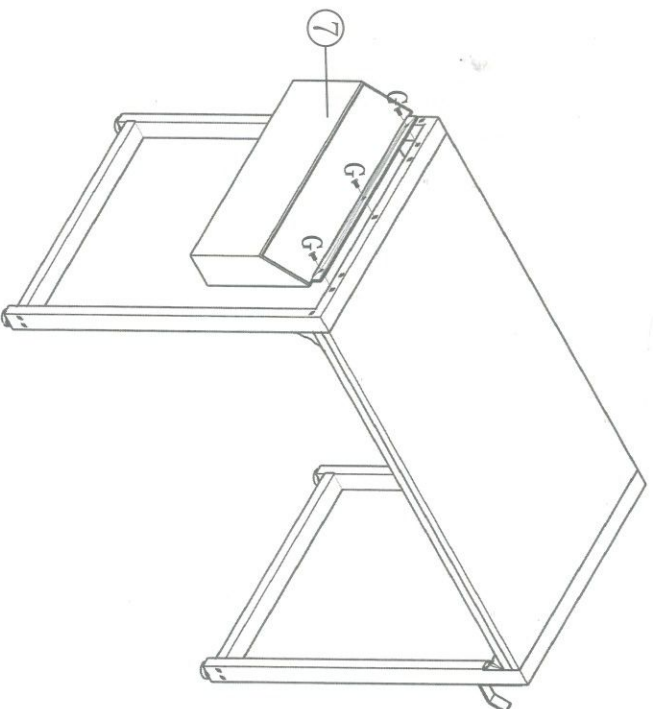
E		8
F		2

5



G		2
H		4

6

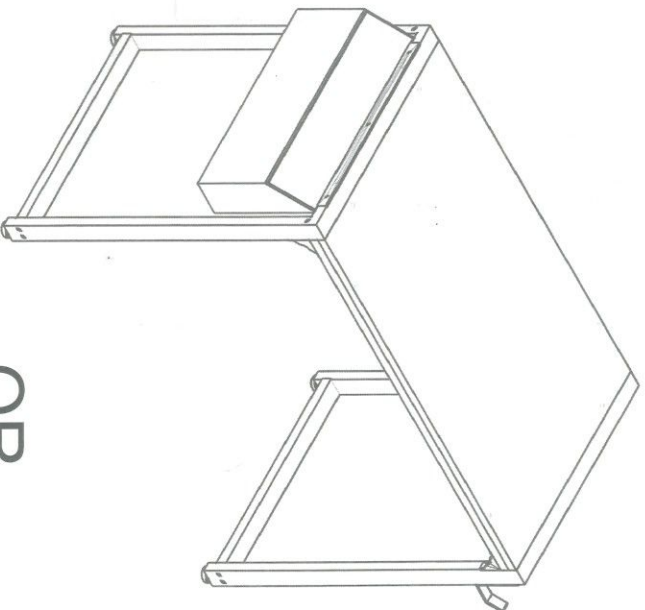


G		3
---	---	---

7

Finally, please tighten all the screws.

FINISH



OR

